

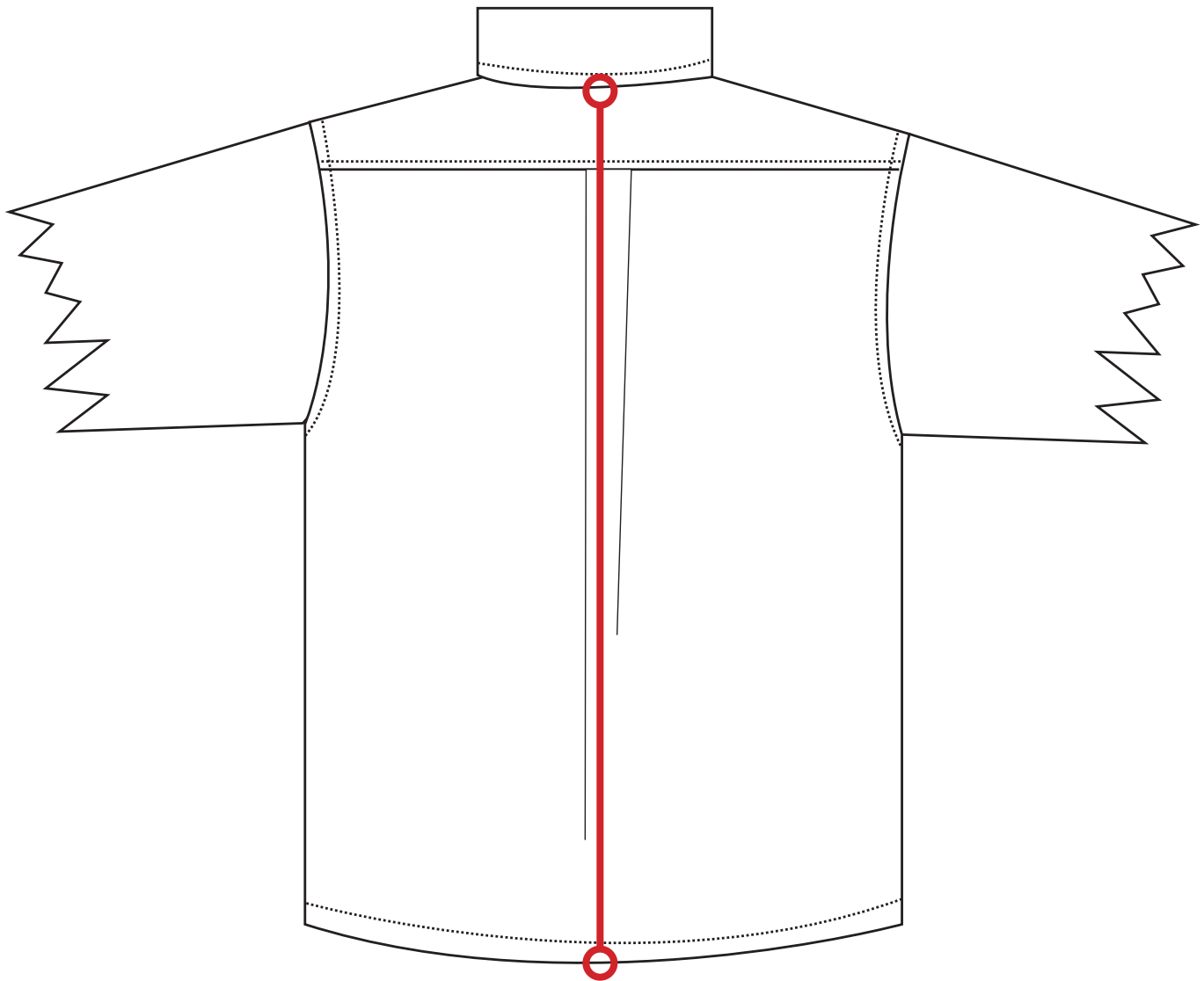


SIERRA PACIFIC
APPAREL LTD

Measuring Guide

Back Length:

Measure the garment from the center back of the neck to the bottom edge hem



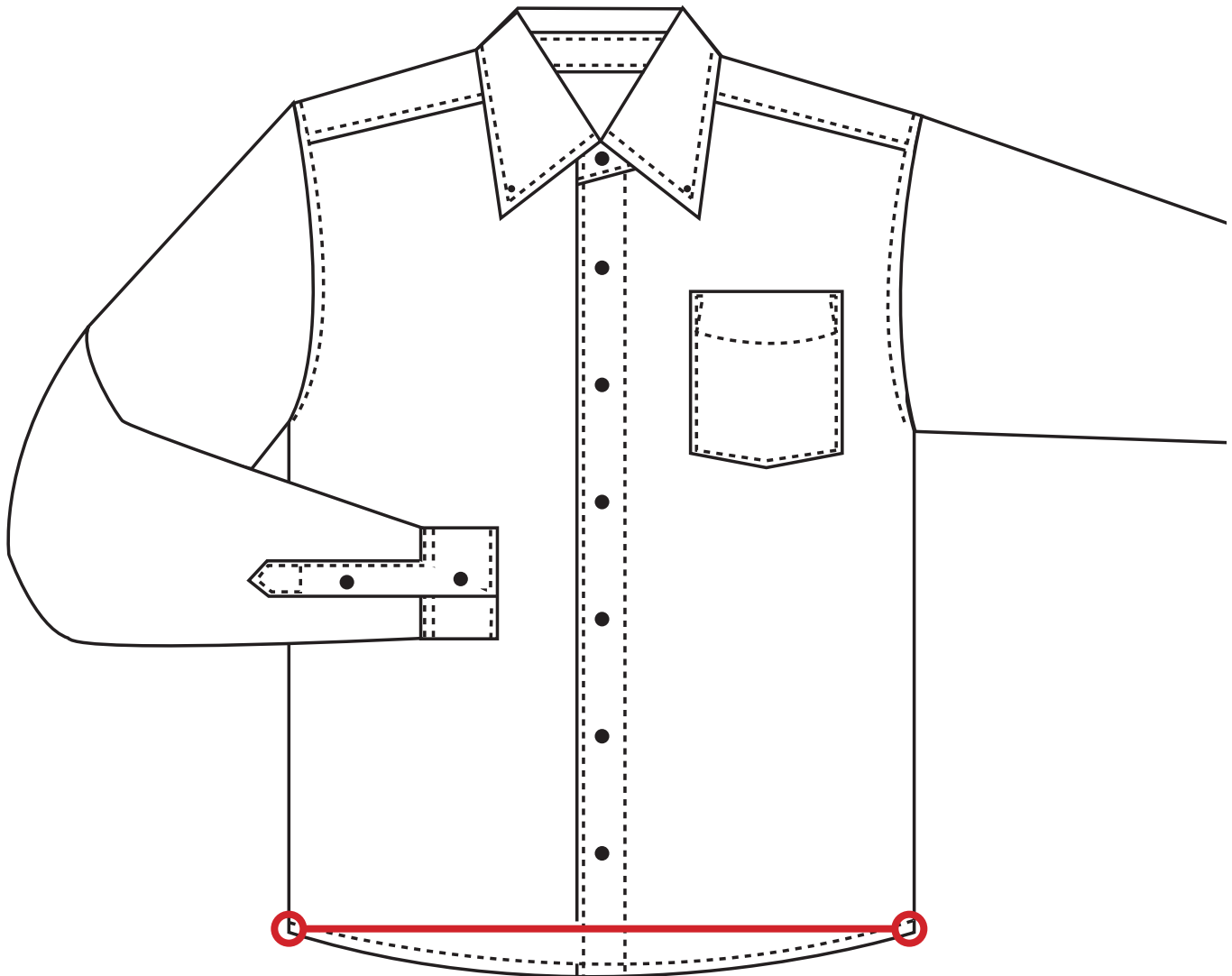


SIERRA PACIFIC
APPAREL LTD

Measuring Guide

Sweep:

Measure straight across the bottom from edge to edge



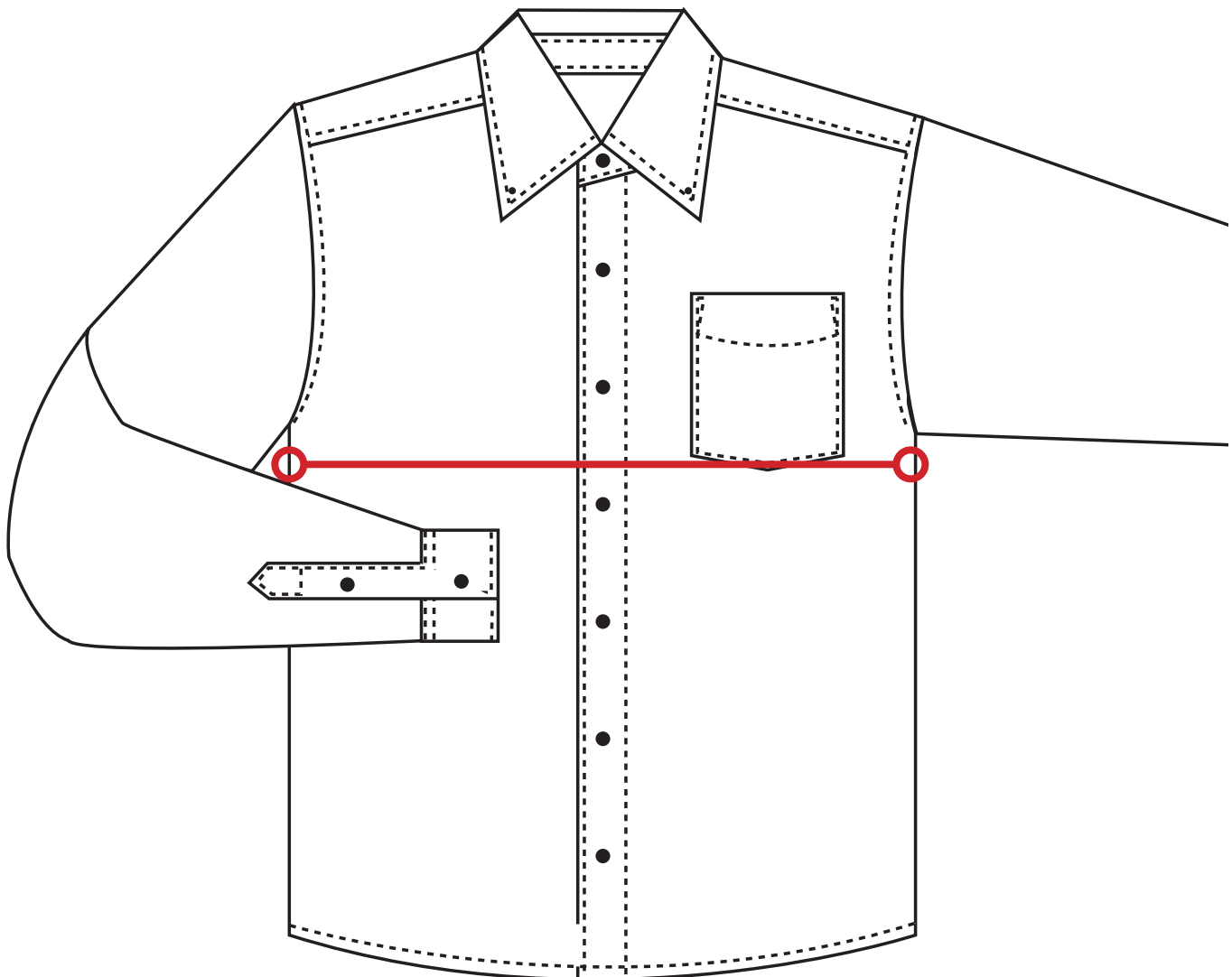


SIERRA PACIFIC
APPAREL LTD

Measuring Guide

Chest:

On the front of the garment, measure straight across the chest 1" below the armholes, edge to edge



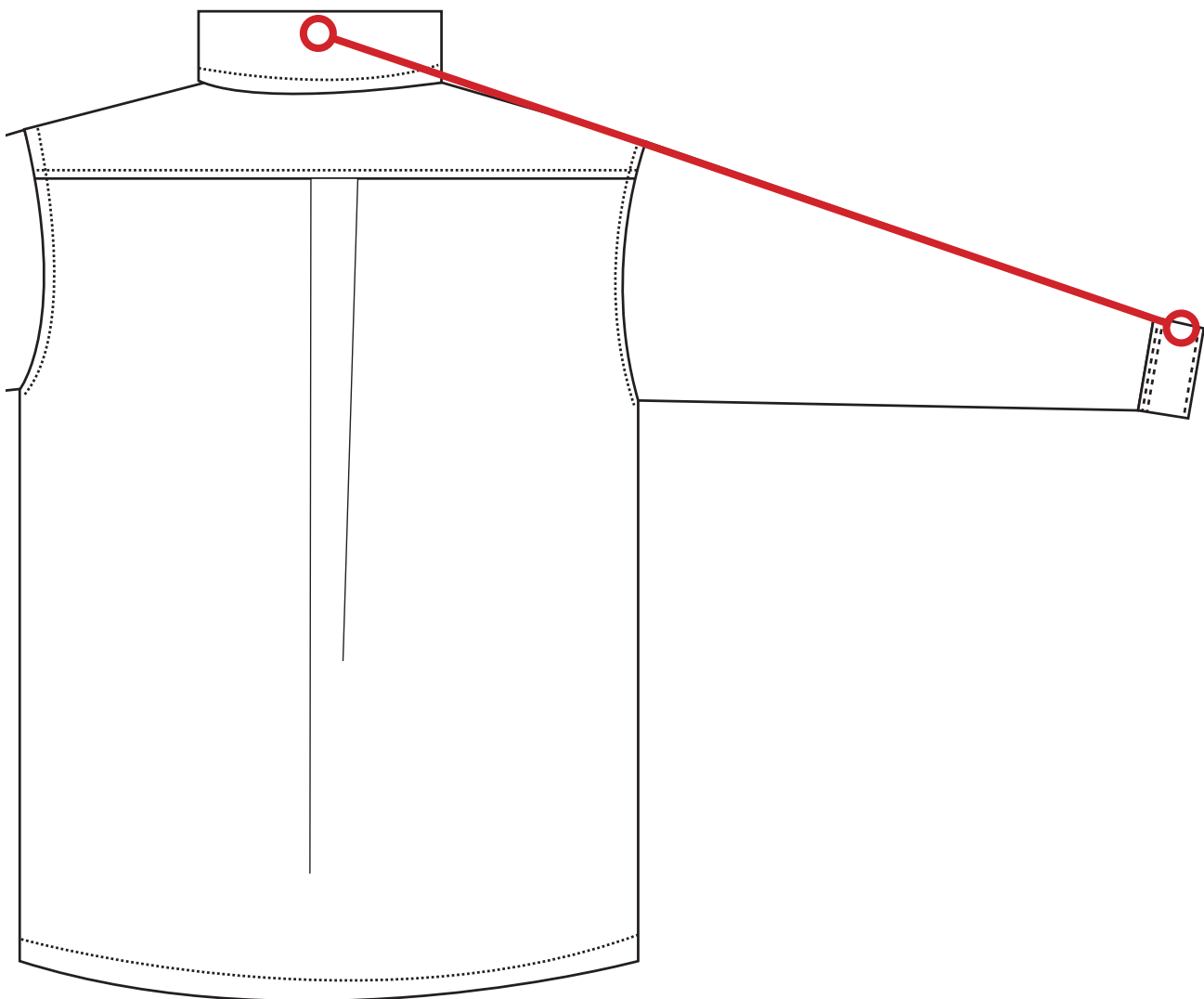


SIERRA PACIFIC
APPAREL LTD

Measuring Guide

Sleeve Length From Centerback:

Measure from the top of the centerback of the collar to the bottom of the sleeve



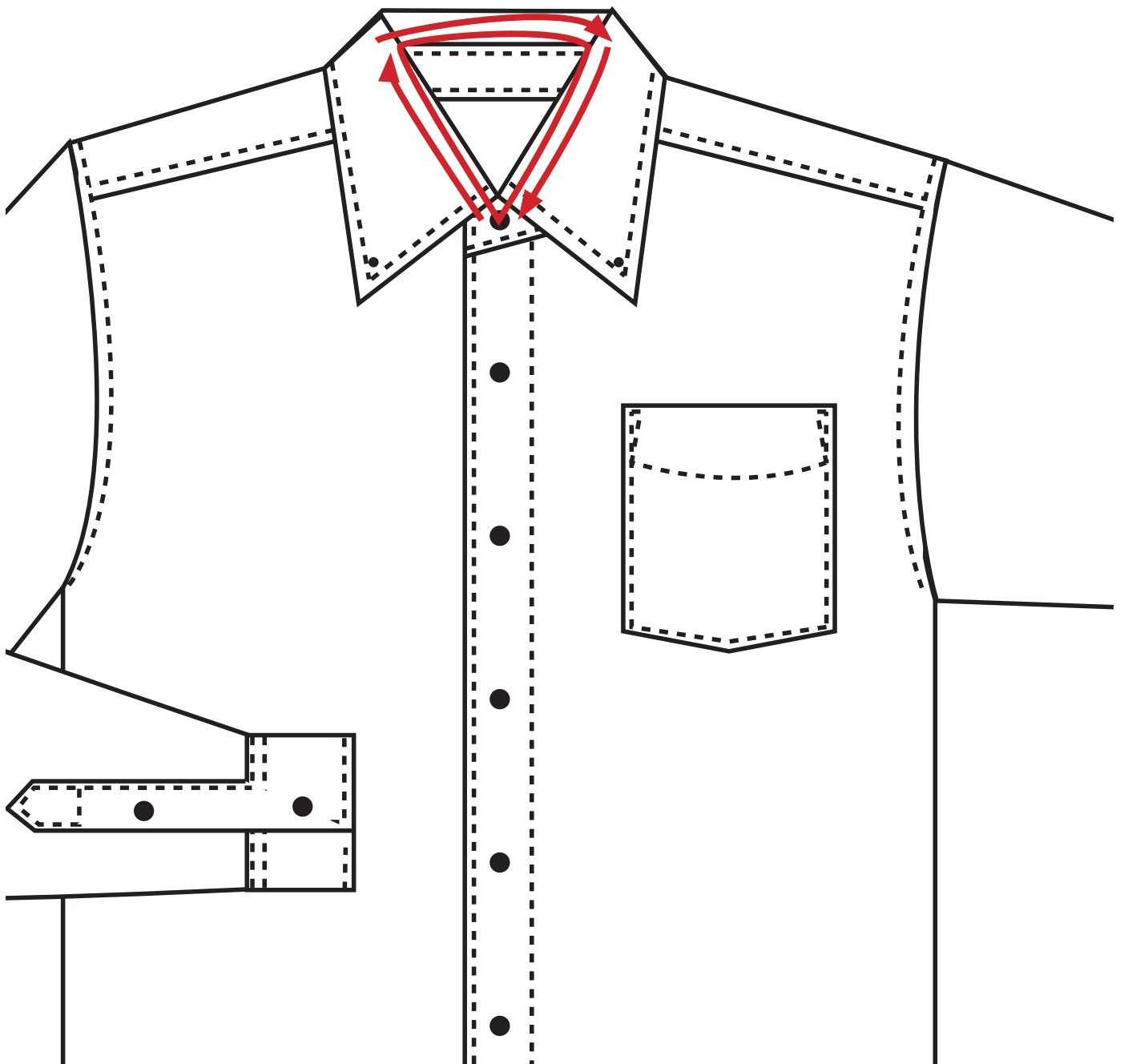


SIERRA PACIFIC
APPAREL LTD

Measuring Guide

Neck Opening:

Make sure the collar button is buttoned. Measure from the center of the button around the neck opening (circumference)



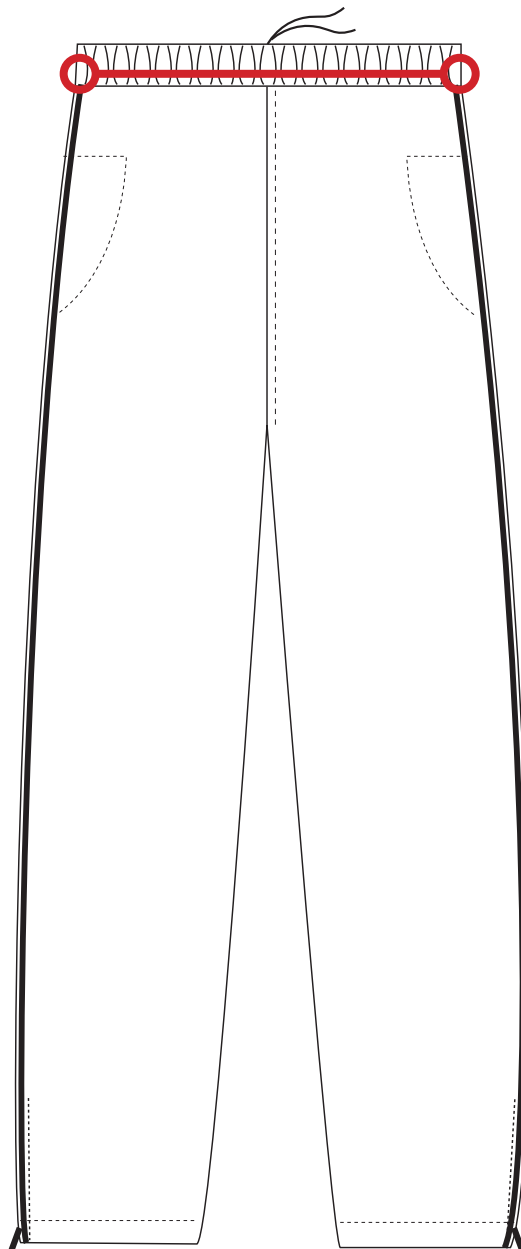


SIERRA PACIFIC
APPAREL LTD

Measuring Guide

Journey Wear Pant

Waist: measure from left to right and double the measurement



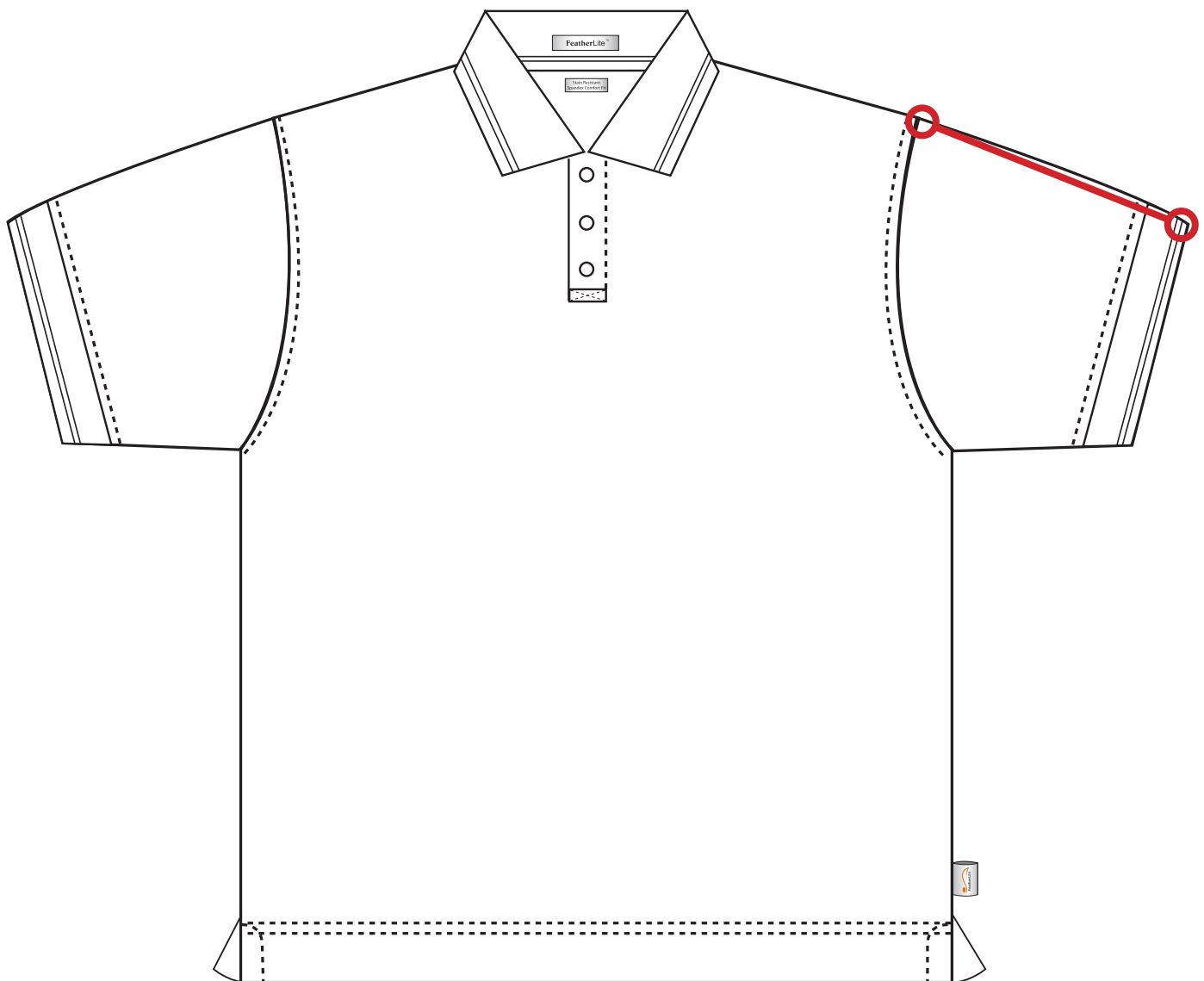


SIERRA PACIFIC
APPAREL LTD

Measuring Guide

Sleeve Length From Shoulder Seam (KNITS)

Measure from the top of the armhole where the sleeve and shoulder join to the bottom of the sleeve





SIERRA PACIFIC
APPAREL LTD

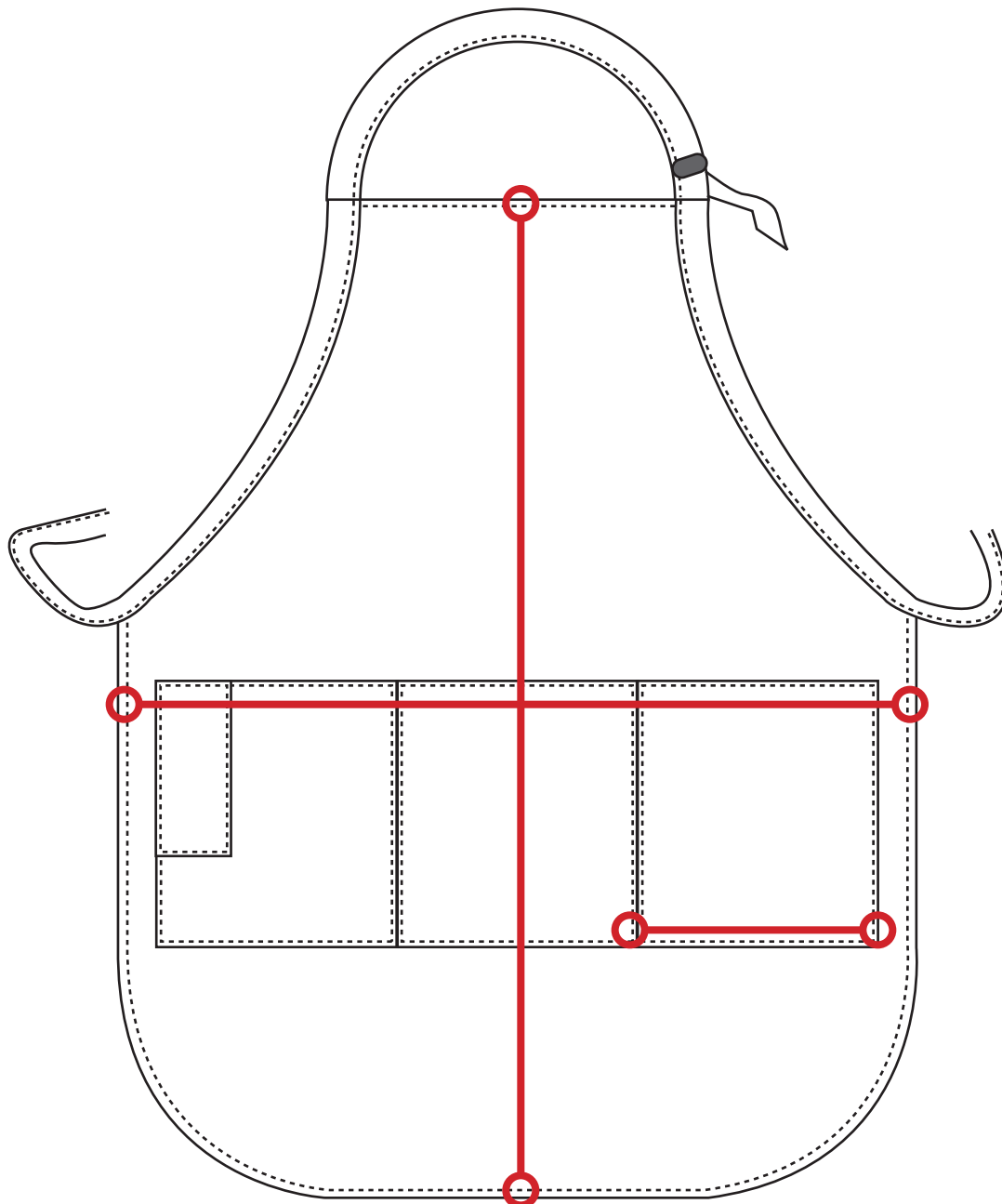
Measuring Guide

Full Apron

Length: measure from the top center to the bottom hem

Width: measure from left to right directly above the pockets

Pocket: measure the pocket from seam to seam





SIERRA PACIFIC
APPAREL LTD

Measuring Guide

Half Apron

Length: measure from the top center to the bottom hem

Width: measure from left to right directly above the pockets

Pocket: measure the pocket from seam to seam

